

1

2

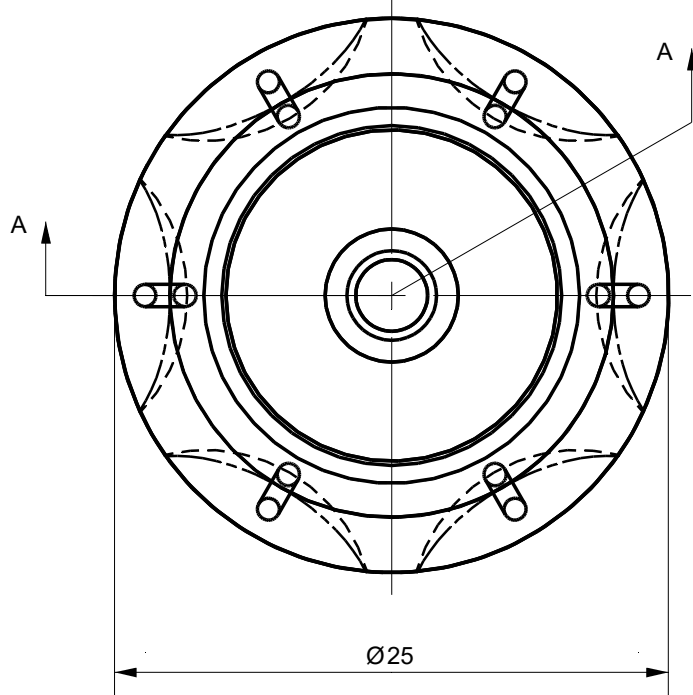
3

4

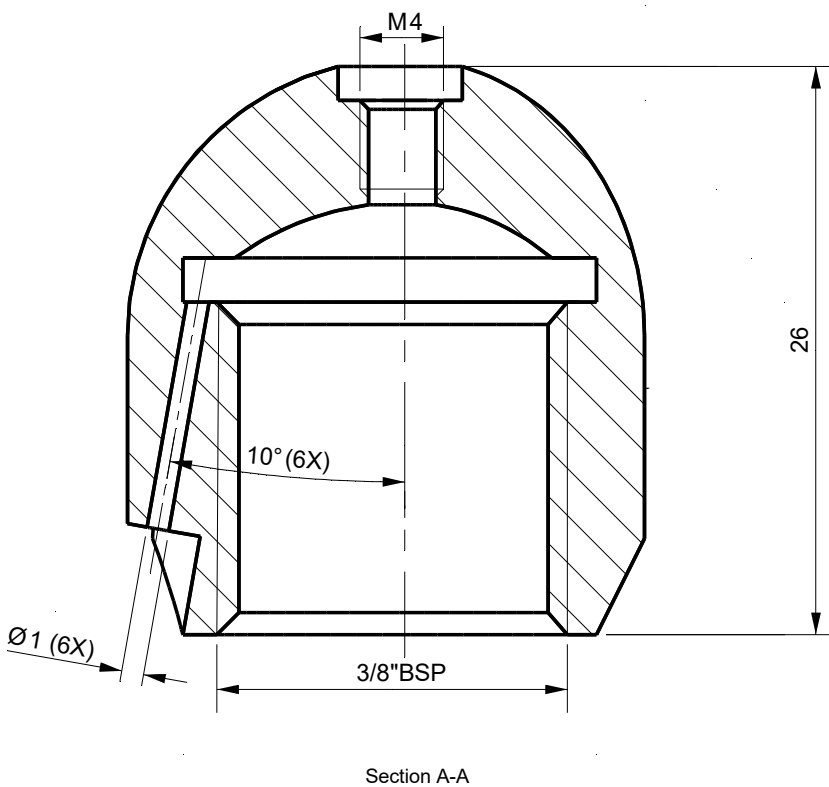
Rev.A

date

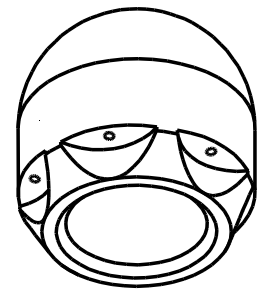
Description revision



Ø25



Section A-A



Tolerances

Unless Otherwise Specified
ACC. DIN-ISO 2768 -1and 2
Angular +/- 0,3°
Corners <0,2x45° / R<0,2

Finish

-

Material

St.St. 316

Dimension (No Decimals)

0 t/m 6	6 t/m 30	30 t/m 120	120 t/m 400	400 t/m 1000
0,1	0,2	0,3	0,5	0,8

Tolerance

Description

SJP Button Nozzle
3/8" BSPF w/o front

Name

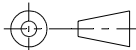
Date

26-7-2023

Remarks

Checked

Projection



Drawing remains the property of
Salomon Jetting Parts B.V.

Unit

mm

Number

Project



Salomon Jetting Parts B.V.
Reedijk 8-1
3274 KE Heinenoord
www.sjpbv.com
info@sjpbv.com
+31 (0) 88 126 1900

Size
A4

Drawing nr.

2-6100010

Rev

A

Scale
3:1

CAD File

Sheet

1 of 1